



Technical specification

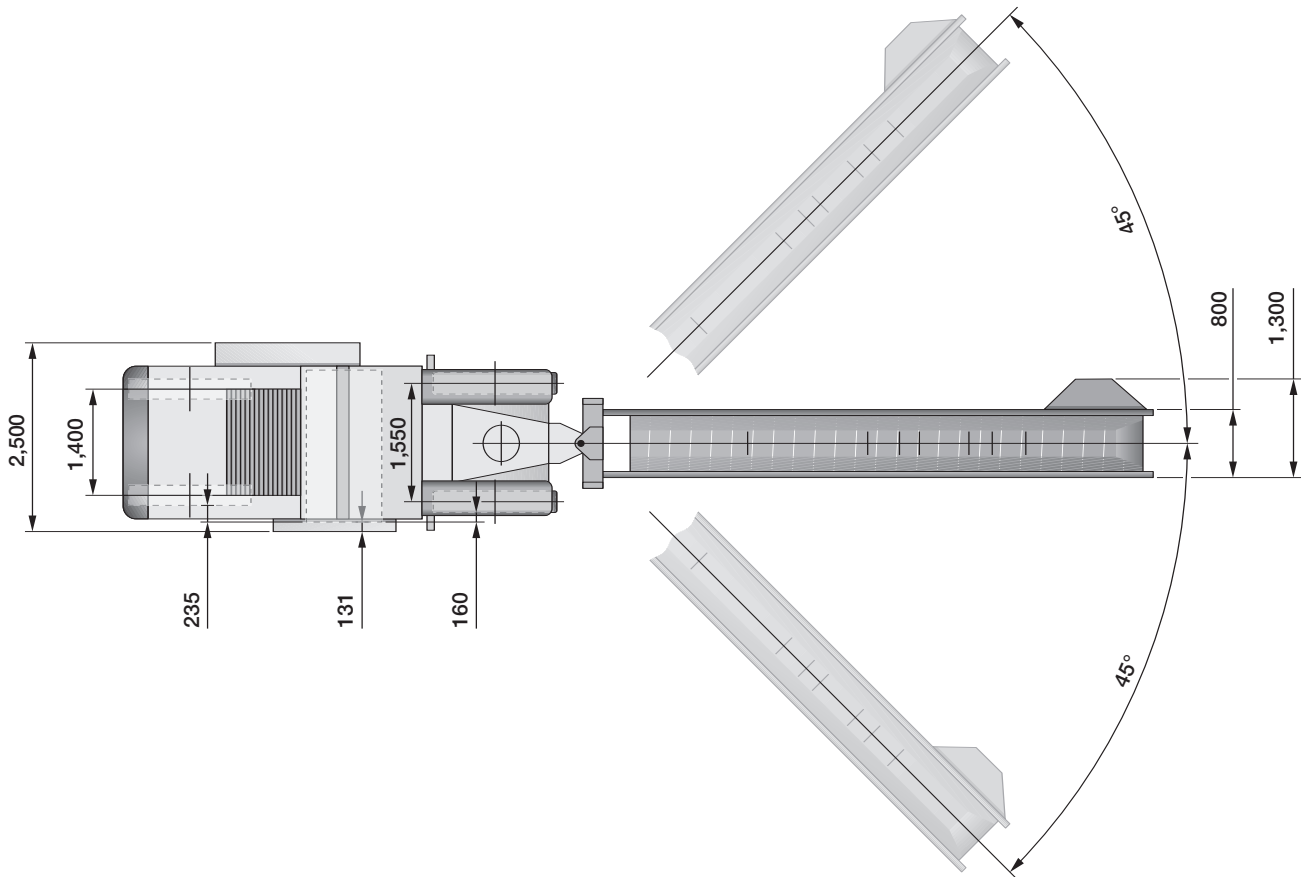
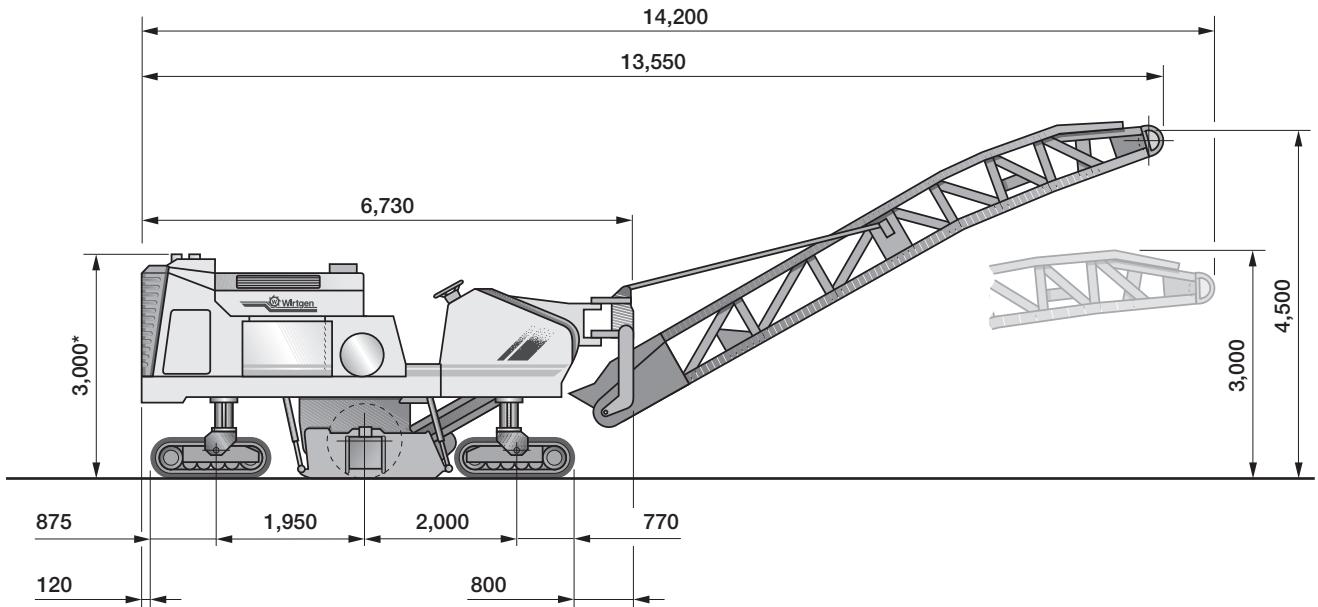
# Cold Milling Machine W 1900



<b>Cold milling machine W 1900</b>	
<b>Milling width</b>	2,000 mm
<b>Milling depth *1</b>	0–320 mm
<b>Milling drum</b>	
Tool spacing	15 mm
Number of tools	162
Drum diameter with tools	980 mm
<b>Engine</b>	
Manufacturer	Daimler Chrysler
Type	OM 502 LA
Cooling	Water/Air (intercooler)
Number of cylinders	8
Rated power at 2,000 min <sup>-1</sup>	340 kW/455 HP/462 PS
Maximum power at 1,800 min <sup>-1</sup>	350 kW/469 HP/476 PS
Displacement	15.9 l
Fuel consumption, full load	84 l/h
Fuel consumption in field mix	38 l/h
Emission standards	EPA Tier III, EU Stage III a
<b>Electrical system</b>	24 V
<b>Filling capacities</b>	
Fuel tank	850 l
Hydraulic fluid tank	270 l
Water tank	1,600 l (+ 1,000 l additional water tank)
<b>Driving characteristics</b>	
Travel speed in milling gear, max.	0–29.5 m/min
Travel speed in travel gear, max.	0–4.5 km/h
<b>Crawler tracks</b>	
Crawler tracks front and rear (L x W x H)	1,600 x 260 x 550 mm
<b>Loading the milled material</b>	
Belt width of primary conveyor	800 mm
Belt width of discharge conveyor	800 mm
Theoretical capacity of discharge conveyor	290 m <sup>3</sup> /h
<b>Shipping dimensions</b>	
Machine (L x W x H)	6,600 x 2,550 x 3,000 mm
Discharge conveyor (L x W x H)	8,500 x 1,300 x 1,150 mm

\*1 = The maximum milling depth may deviate from the value indicated, due to tolerances and wear.

Dimensions in mm

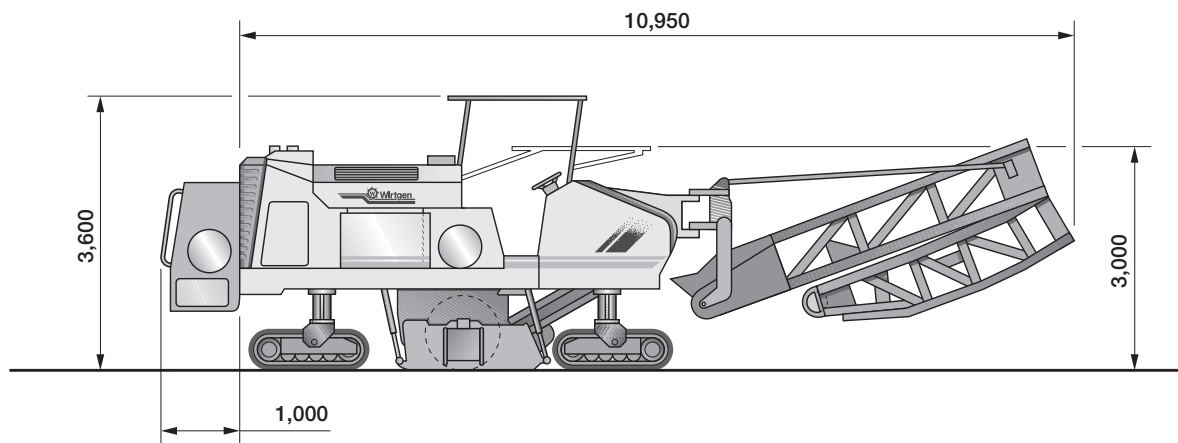


\* = Machine height with optional cyclonic air filter: 3,030 mm

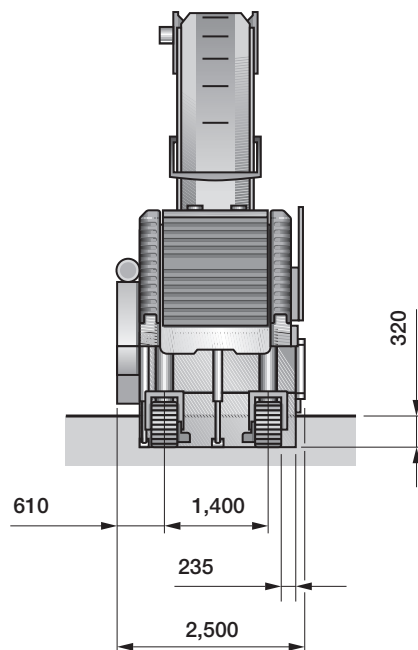
	Standard weights of cold milling machine W 1900
Own weight	25,400 daN (kg)
Operating weight, CE*	26,680 daN (kg)
Operating weight, max. (full tanks, full range of equipment)	31,900 daN (kg)
	Add-on weights
<b>FCS Light milling drum assembly</b>	
FCS Light milling drum assembly, milling width 2,000 mm, milling depth 0–320 mm, number of cutting tools: 162	660 daN (kg)
<b>Optional equipment</b>	
Canopy	250 daN (kg)
Folding conveyor	360 daN (kg)
Additional water tank 1,000 l (unfilled)	820 daN (kg)

\* = Weight of machine with half-full water tank, half-full fuel tank, driver (75 kg) and tools.

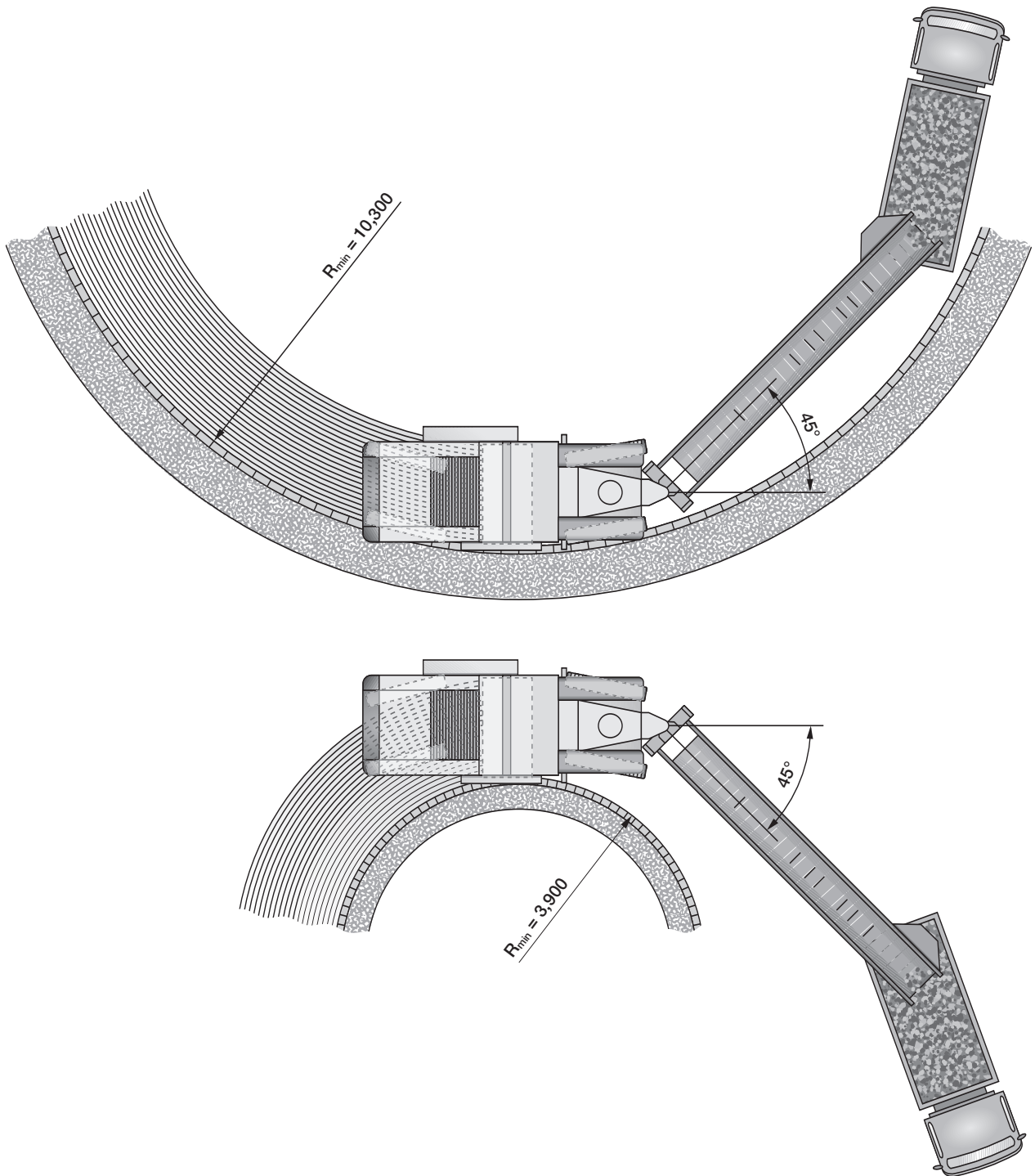
**Special equipment: Canopy, folding conveyor and additional water tank**  
Dimensions in mm



**Rear view W 1900**  
Dimensions in mm



**Turning radius of cold milling machine W 1900 at 150 mm milling depth**  
Dimensions in mm



## Equipment features of cold milling machine W 1900

### Standard equipment:

#### Basic machine with engine

- Air compressor system
- Large storage compartments for cutting tool containers
- Highly effective soundproofing of entire engine compartment
- Standard painting in Wirtgen white with orange stripes

#### Milling drum assembly

- Hydraulically lifting drum plates
- Additional lock-valve for scraper blade
- Additional control switches for scraper blade and steering functions at ground level
- Right-hand side plate in hinged design
- Hydraulically opening scraper blade with convenient lock mechanism
- Replaceable wearing segments on side plates
- Hydraulically lifting side plates, clearance 330 mm

#### Milling drum

- Standard assembly with milling width 2,000, HT11
- Multiple-use ejector system

#### Machine control system

- Digital electric height indication
- Automatically engageable hydraulic traction control (flow divider)
- Automatically engaging maximum milling speed control
- Freely selectable steering modes of crawler tracks
- Automatically engaging high-pressure water system, 3,5 bar, 45 l/min
- Engaging water injection in milling chamber
- Engaging water spray system at primary conveyor

#### Loading the milled material

- Discharge conveyor slewing angle left 45 degrees
- Discharge conveyor slewing angle right 45 degrees
- Conveyor system with adjustable conveying speed
- Hydraulically lifting primary conveyor

#### Operator's platform

- Convenient control panel with practical switches
- Lockable covers for control panels
- Individually adjustable driver's seat
- Vibration-damped operator's platform
- Access left and right with convenient fold-away ladder
- Exterior rear view mirror

#### Travelling gear/Height adjustment

- Extremely wear-resistant polyurethane track pads
- 4-track steering
- Height adjustment via proportional valve control

#### Miscellaneous

- Lighting package with 11 spotlights
- Comprehensive tool kit
- Comprehensive safety package with 5 emergency stop buttons

### Optional equipment:

#### Basic machine with engine

- Special painting, one or several colours

#### Milling drum assembly

- Milling drum housing for milling width 2,000 mm, FCS Light
- Pneumatic cutting tool driver and extractor
- Mounting carriage for milling drums

#### Milling drum

- Milling drum with milling width 2,000 mm, HT11, LA8 FCS
- Milling drum with milling width 2,000 mm, HT5, LA6x2 FCS
- Milling drum with milling width 2,000 mm, HT11, LA15 FCS-Light

#### Machine control system

- LEVEL PRO automatic levelling system
- Additional LEVEL PRO control panel
- Slope sensor

#### Loading the milled material

- Hydraulically operated folding discharge conveyor, long

#### Operator's platform

- Canopy

#### Miscellaneous

- Additional water tank 1,000 l
- Hydraulically operated high-pressure water cleaner, 150 bar, 15 l/min



Wirtgen GmbH  
Reinhard-Wirtgen-Strasse 2 · 53578 Windhagen · Germany  
Phone: +49 (0) 26 45/131-0 · Fax: +49 (0) 26 45/131-242  
Internet: [www.wirtgen.com](http://www.wirtgen.com) · E-Mail: [info@wirtgen.com](mailto:info@wirtgen.com)