



Technical specification

# Cold milling machine W 50 DC

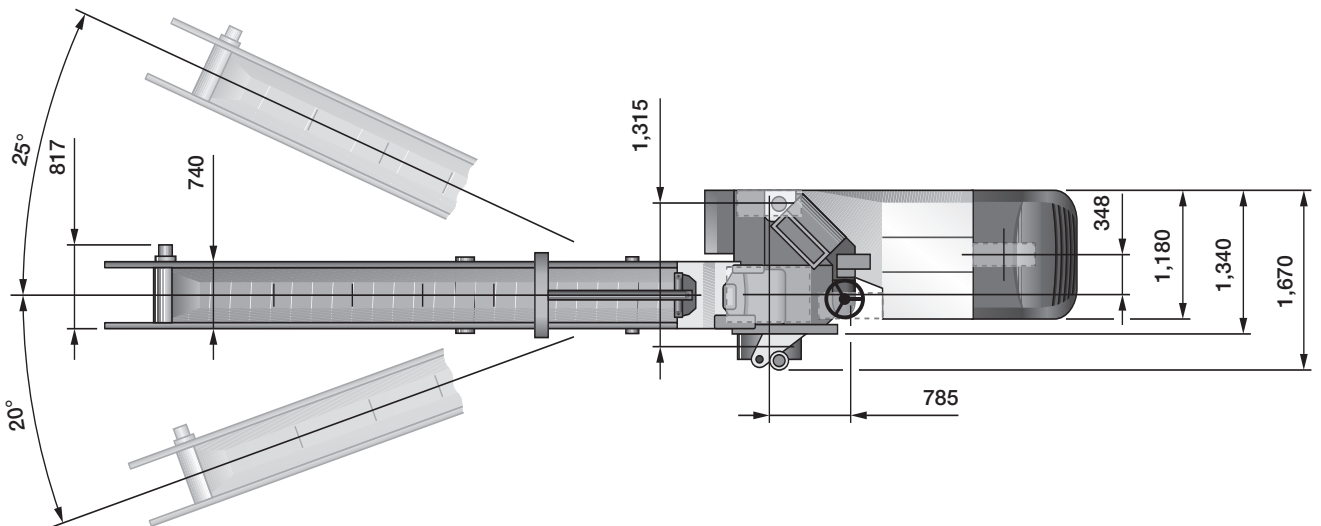
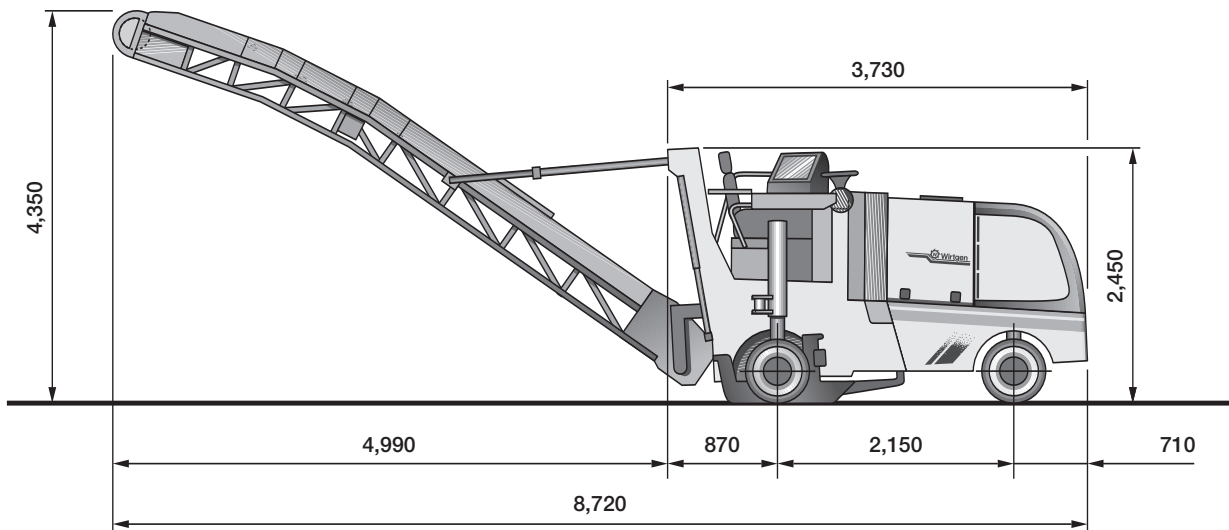


# Technical specification

	<b>Cold milling machine W 50 DC</b>
<b>Milling width max.</b>	500 mm
<b>Milling depth *1</b>	0–210 mm
<b>Milling drum</b>	
Tool spacing	15 mm
Number of tools	50
Drum diameter with tools	750 mm
<b>Engine</b>	
Manufacturer	Deutz AG
Type	TCD2012 L04 2V AG3
Cooling	Water
Number of cylinders	4
Rated power at 2,100 min <sup>-1</sup>	92 kW/123 HP/125 PS
Displacement	4,038 cm <sup>3</sup>
Fuel consumption, 1/1 load	23.7 l/h
Fuel consumption in field mix	16.0 l/h
Emission standards	2004/26/EU, Stage III a, EPA TIER III
<b>Electrical system</b>	24 V
<b>Tank capacities</b>	
Fuel tank	230 l
Hydraulic fluid tank	80 l
Water tank	600 l
<b>Speed/gradeability</b>	
Travel speed in milling gear, max.	0–27 m/min
Travel speed in travel gear, max.	0–5.3 km/h
<b>Tyres</b>	
Type	Solid rubber
Tyre size front and rear, 3-wheeled model (dia. x W)	559 x 254 mm
Tyre size front, 4-wheeled model (dia. x W)	559 x 203 mm
Tyre size rear, 4-wheeled model (dia. x W)	559 x 254 mm
<b>Conveyor system</b>	
Belt width	400 mm
Theoretical conveyor capacity	82 m <sup>3</sup> /h
<b>Shipping dimensions</b>	
Machine dimensions (L x W x H)	3,730 x 1,670 x 2,450 mm
Conveyor dimensions (L x W x H)	6,100 x 817 x 1,200 mm

\*1 = The maximum milling depth may deviate from the value indicated, due to tolerances and wear.

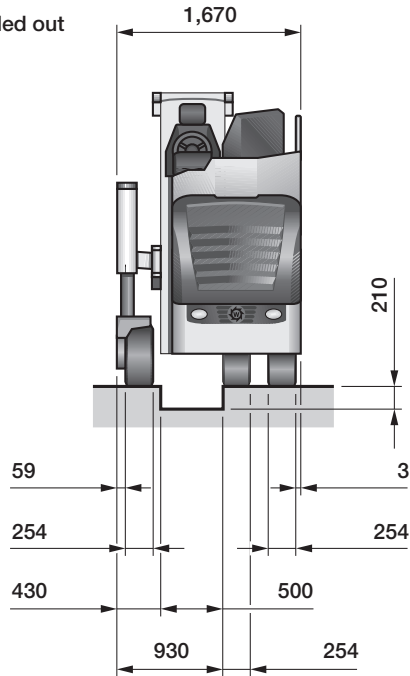
Dimensions in mm



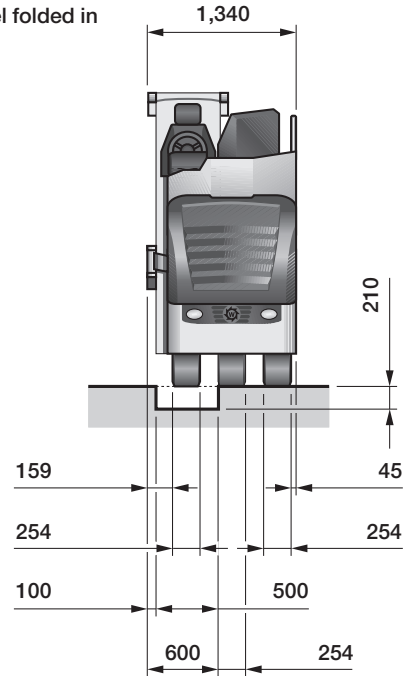
**Front view of W 50 DC, 3-wheeled model**

Dimensions in mm

with support wheel folded out



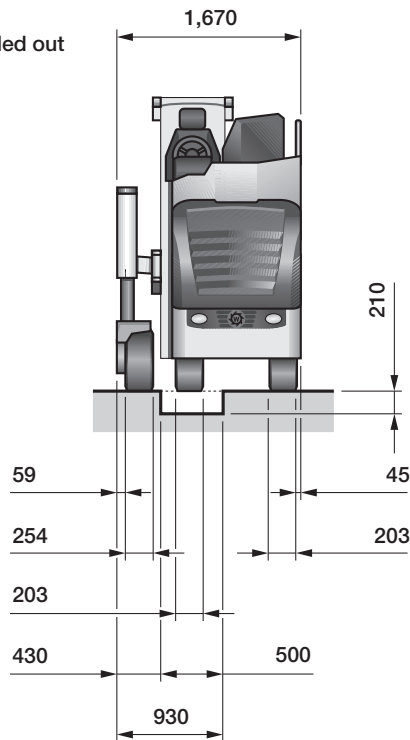
with support wheel folded in



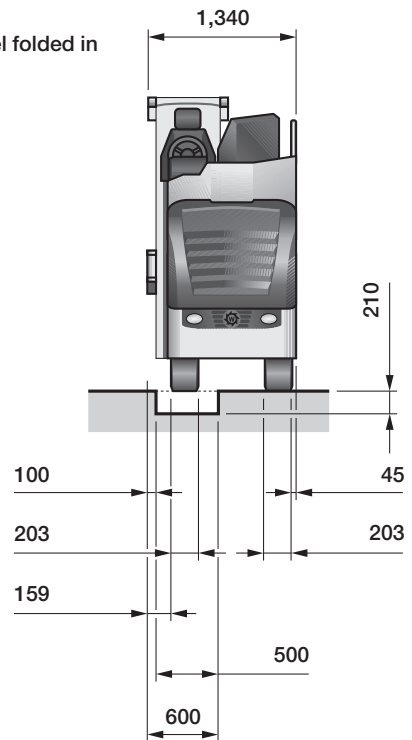
**Front view of W 50 DC, 4-wheeled model**

Dimensions in mm

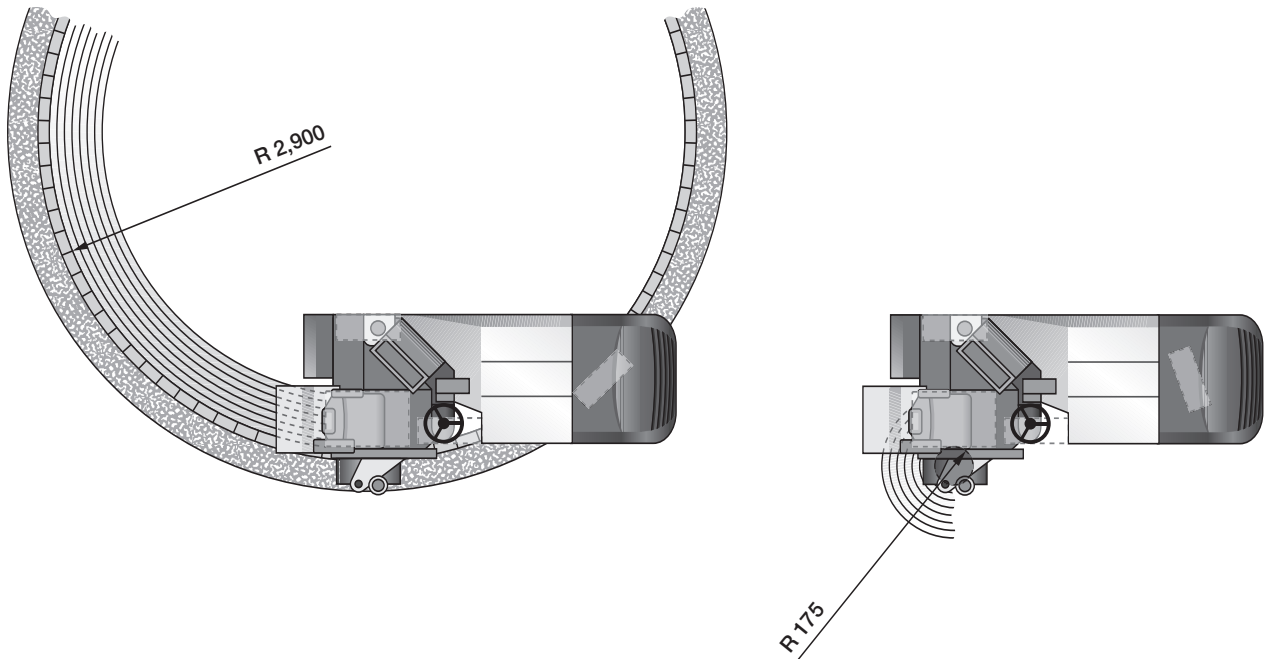
with support wheel folded out



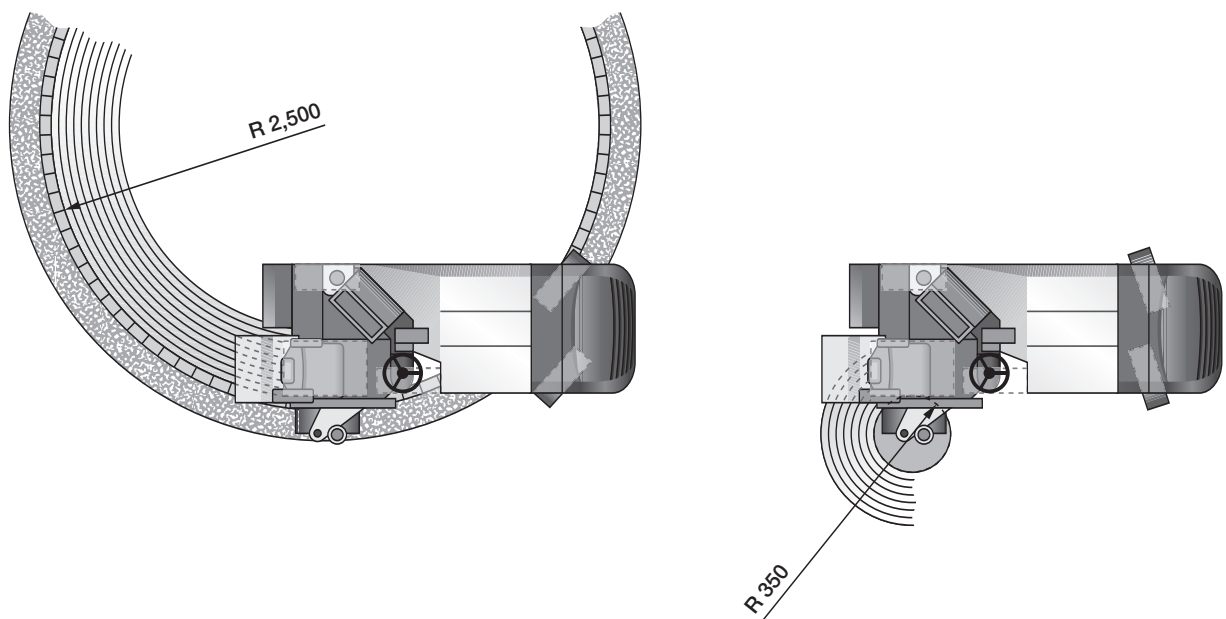
with support wheel folded in



**Milling radius of W 50 DC, 3-wheeled model, 50 mm milling depth**  
Dimensions in mm

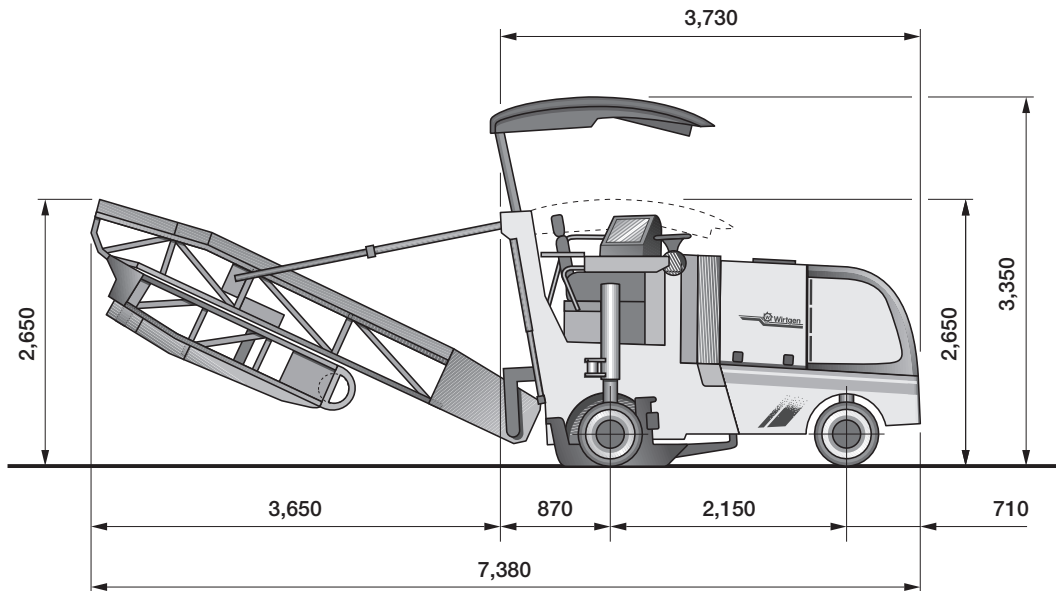


**Milling radius of W 50 DC, 4-wheeled model, 50 mm milling depth**  
Dimensions in mm



### Machine transport with optional folding conveyor and canopy roof

Dimensions in mm



	Standard weights of cold milling machine W 50 DC 3-wheeled model with long conveyor
Own weight	7,300 daN (kg)
Operating weight, CE *	7,800 daN (kg)
Operating weight, max.	8,100 daN (kg)
Added / Reduced weight	
Optional loading conveyors	
Without conveyor and standard scraper blade	- 650 daN (kg)
Short conveyor with standard scraper blade	- 200 daN (kg)
Long folding conveyor with standard scraper blade	50 daN (kg)
FCS equipment	
FCS scraper blade	180 daN (kg)
Optional equipment	
Four-wheel design	250 daN (kg)
Canopy	200 daN (kg)

\* = Weight of machine with half-full water tank, half-full fuel tank, driver (75 kg) and tools.

## Equipment features of cold milling machine W 50 DC

### Standard equipment:

#### Operator's platform

- Convenient access to operator's platform
- Fully vibration-damped operator's platform
- Standard driver's seat adjustable in direction of travel
- Convenient control panel with practical switches
- Digital multi-functional display in control panel
- Height-adjustable steering wheel
- Multi-functional machine operation integrated in right-hand armrest
- Lockable covers for control panels
- Exterior rear view mirrors left and right
- Reversing horn

#### Machine control system

- Mechanical milling depth display via clock left and right
- Automatically engageable hydraulic traction control (flow divider)
- Automatically engaging maximum milling speed control
- Engageable water injection in milling chamber

#### Engine

- Water-cooled engine
- Highly effective soundproofing of entire engine compartment

#### Milling drum assembly with milling drum

- Milling drum in welded double-pin toolholder design
- Right-hand side plate in hinged design
- Hydraulically adjustable front sealing
- Additional lock-valve for scraper blade

#### Loading the milled material

- Discharge conveyor, 5,600 mm long
- Discharge conveyor slewing angle left 25 degrees
- Discharge conveyor slewing angle right 20 degrees
- Hydraulic quick-release couplings at loading conveyor
- Conveyor system with adjustable conveying speed

#### Travelling gear / Height adjustment

- 3-wheeled chassis
- Hydraulically folding rear right support wheel
- Height adjustment via proportional valve control
- Proportional speeds for height adjustment

#### Miscellaneous

- Lighting package with 3 spotlights
- Comprehensive tool kit
- Comprehensive safety package with 1 emergency stop button
- Additional storage compartment for cutting tool containers

### Optional Equipment:

#### Operator's platform

- Canopy, electro-hydraulically adjustable in height and mechanically adjustable to either side
- Sunshade
- Comfort driver's seat with individual adjustment to either side and in longitudinal direction
- Additional illumination of control panel, night design

#### Machine control system

- Digital electric height indication
- Automatic levelling system Level Pro with one wire-rope sensor each edge protection right, and edge protection left
- Slope sensor

#### Engine

- Operation of cold milling machine with bio-degradable hydraulic fluid

#### Milling drum assembly with milling drum

- Milling drum unit, 400 mm milling width, HT01, with scraper blade
- Milling drum unit, 300 mm milling width, HT01, with scraper blade
- Milling ring, 80 mm milling width, 300 mm milling depth
- Fine milling drum, 500 mm milling width, HT01, 6 mm tool spacing
- Hydraulically lifting drum plates
- FCS tandem scraper
- Mounting carriage for milling drums

#### Loading the milled material

- Mechanically folding discharge conveyor, 5,600 mm long
- Short discharge conveyor, 1,100 mm long
- Model without loading conveyor but with scraper blade
- Model without loading conveyor and without scraper blade with simple flap

#### Travelling gear / Height adjustment

- 4-wheeled chassis

#### Miscellaneous

- Special painting
- Lighting package with 3 spotlights and direction indicators
- Additional hydraulic connection for ancillary hydraulic equipment



Wirtgen GmbH  
Reinhard-Wirtgen-Strasse 2 · 53578 Windhagen · Germany  
Phone: +49 (0) 26 45/131-0 · Fax: +49 (0) 26 45/131-242  
Internet: [www.wirtgen.com](http://www.wirtgen.com) · E-Mail: [info@wirtgen.com](mailto:info@wirtgen.com)