

# DYNAPAC

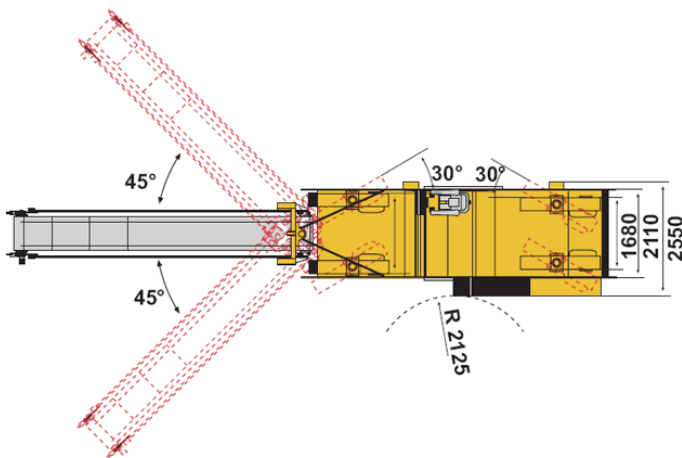
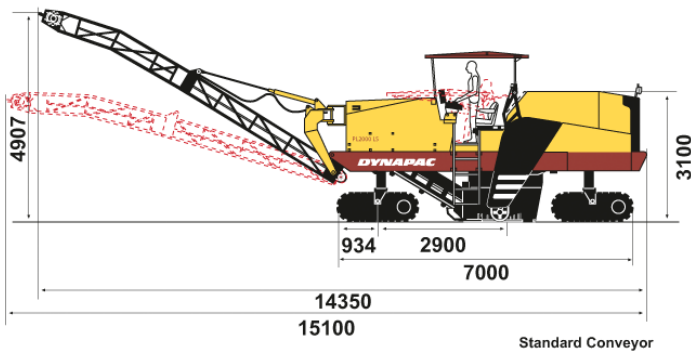
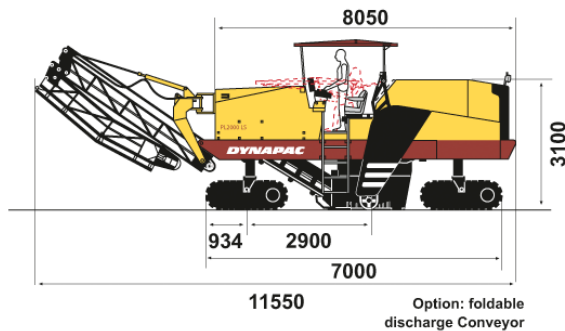
Part of the Atlas Copco Group

## PL2000LS

### High capacity planers



#### Technical data



Cutting section	PL2000LS
Working width	2,010 mm
Cutting depth	320 mm
Cutting diameter	1,100 mm
Spacing	15 mm
Number of tools	162
Working performance	
Operating speed	0-40
Travel speed	0-5
Theoretical turning radius	2,125 mm
4 heavy-duty tracks (mm)	1890x306x685
Tank capacities	
Fuel tank	1,100 l
Hydraulic tank	270 l
Water tank	3,700 l
Loading system	
Belt width (collecting conveyor)	850 mm
Belt width (discharge conveyor)	800 mm
Theoretical swept volume	470 m <sup>3</sup> /h
Masses	
Transport mass	28.2 t
Operating mass (CE)	30.7 t
Max. operating mass, fully loaded (CE)	33.4 t
Engine	
Manufacturer/ Model	Cummins QSX 15
Fuel	Diesel
Cooling	Water
Number of cylinders	6
Rated power, SAE J1995	447 kW (600 hp) @ 2,100 rpm

Find your local dealer at [www.dynapac.com](http://www.dynapac.com)

We reserve the right to change specifications without notice. Photos and illustrations do not always show standard versions of machines. The above information is a general description only, all informations are supplied without liability.