



Technical specification

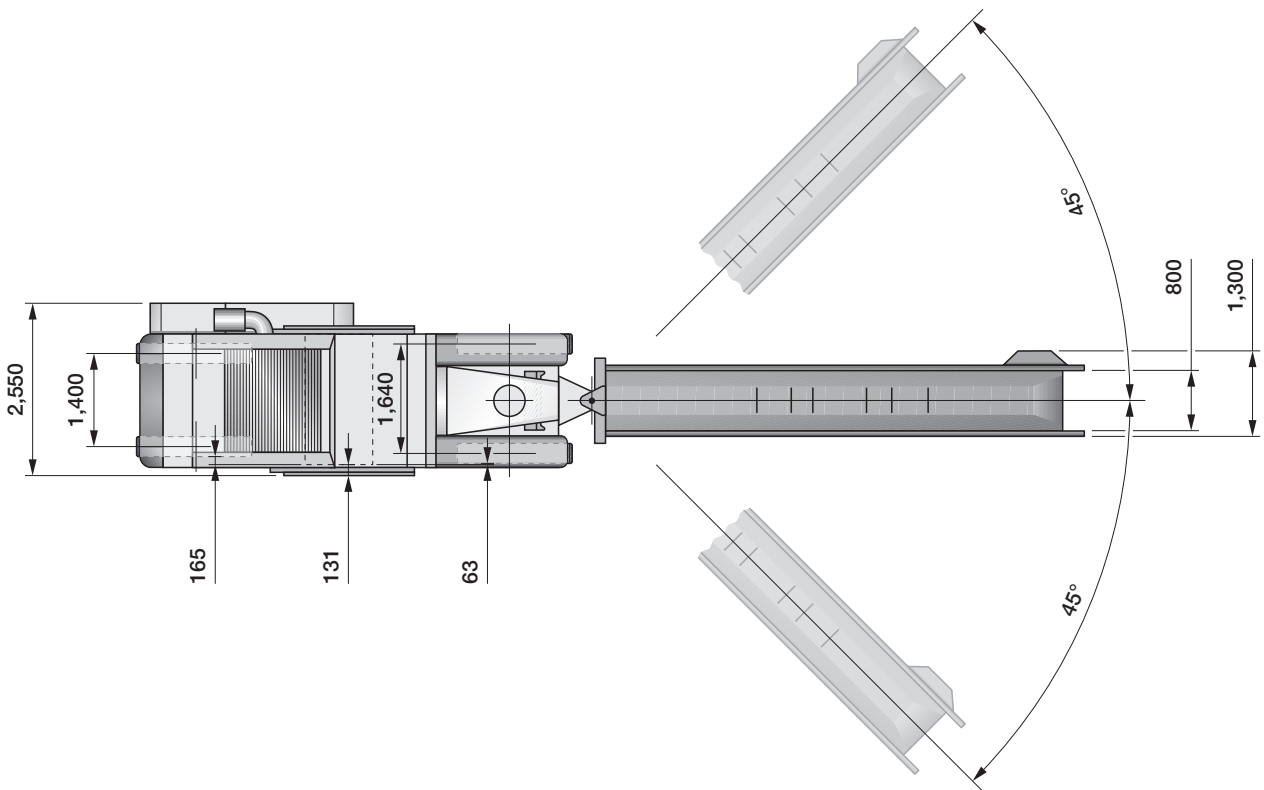
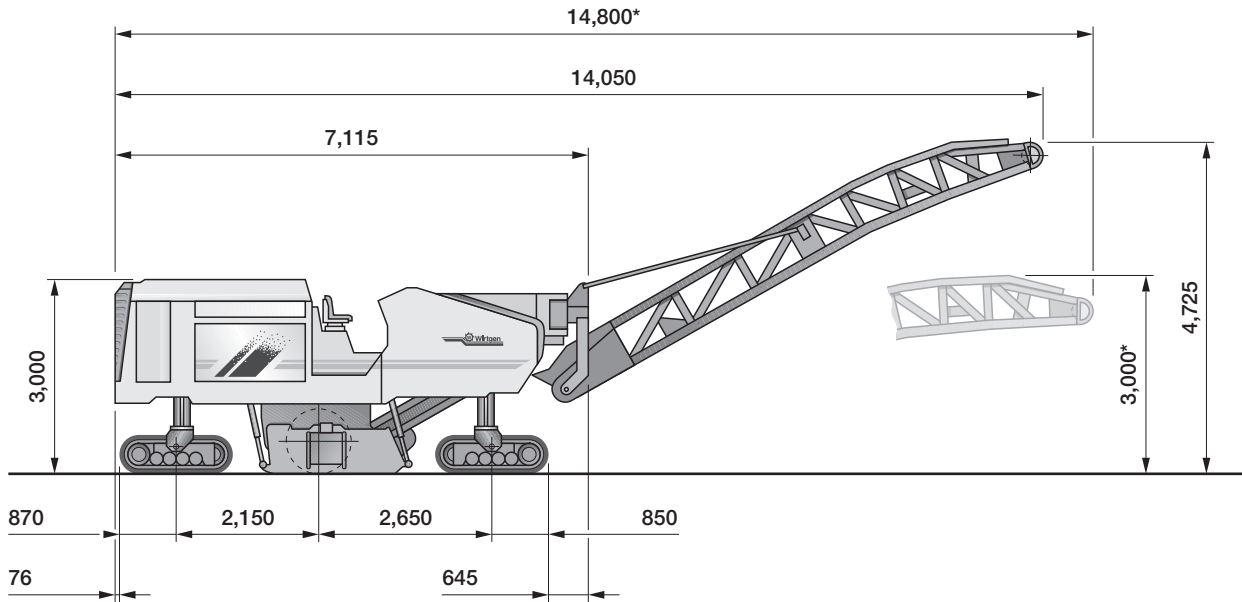
Cold milling machine W 2000



		Cold milling machine W 2000
Milling width max.		2,000 mm
Milling depth *1		0–320 mm
Milling drum		
Tool spacing		15 mm
Number of tools		162
Drum diameter with tools		980 mm
Engine		
Manufacturer		Caterpillar
Type		C 15 ATAAC
Cooling		Water
Number of cylinders		6
Rated power at 2,100 min ⁻¹		433 kW/581 HP/589 PS
Displacement		15.21 l
Fuel consumption, full load		124 l/h
Fuel consumption in field mix		56 l/h
Emission standards		EU Stage 3a/US EPA Tier 3
Electrical system		24 V
Filling capacities		
Fuel tank		1,310 l
Hydraulic fluid tank		300 l
Water tank		3,430 l
Driving characteristics		
Travel speed		0–84 m/min (0–5 km/h)
Crawler tracks		
Crawler tracks, front and rear (L x W x H)		1,720 x 300 x 610 mm
Conveyor system		
Belt width of primary conveyor		800 mm
Belt width of discharge conveyor		800 mm
Theoretical capacity of discharge conveyor		330 m ³ /h
Shipping dimensions		
Machine (L x W x H)		7,200 x 2,585 x 3,000 mm
Discharge conveyor (L x W x H)		8,550 x 1,370 x 1,300 mm

*1 = The maximum milling depth may deviate from the value indicated, due to tolerances and wear.

Dimensions in mm

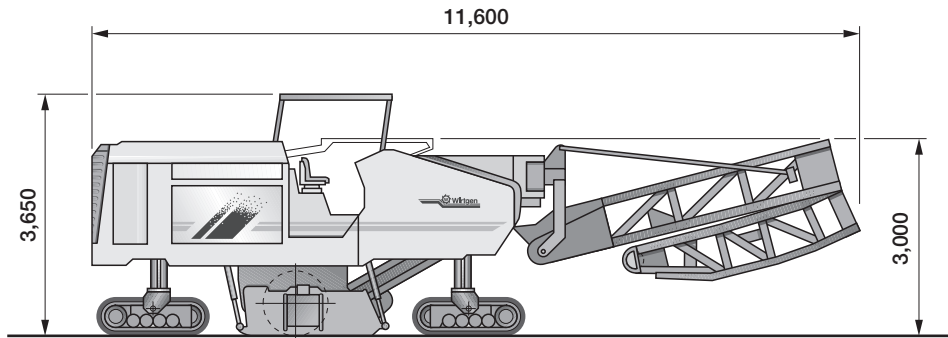


* = Dimensions for low-loader transport

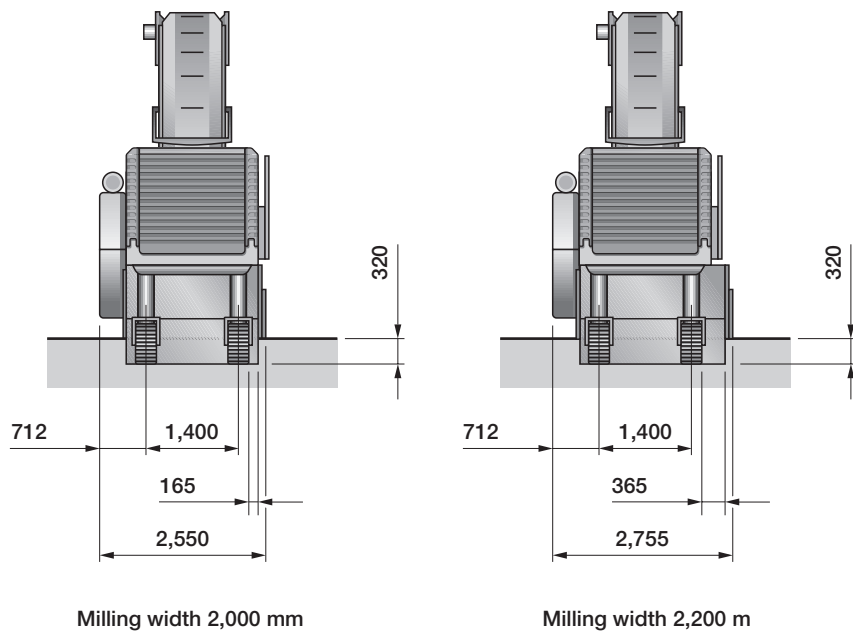
	Machine weights of cold milling machine W 2000
Empty weight of machine without filling media	27,700 daN (kg)
Operating weight, CE *	30,000 daN (kg)
Maximum operating weight (full tanks, full range of equipment)	33,427 daN (kg)
	Weights of filling media
Water tank filling in kg	3,430 daN (kg)
Diesel tank filling in kg (0.83 kg/l)	1,087 daN (kg)
	Optional equipment features increasing / reducing empty weight
Milling assembly and milling drum, milling width 2,200 mm	300 daN (kg)
Milling assembly and milling drum in FCS Light design, milling width 2,000 mm	600 daN (kg)
Conveyor in folding conveyor design	360 daN (kg)
Canopy	250 daN (kg)

* = Weight of machine with half-full water tank, half-full fuel tank, driver (75 kg) and tools.

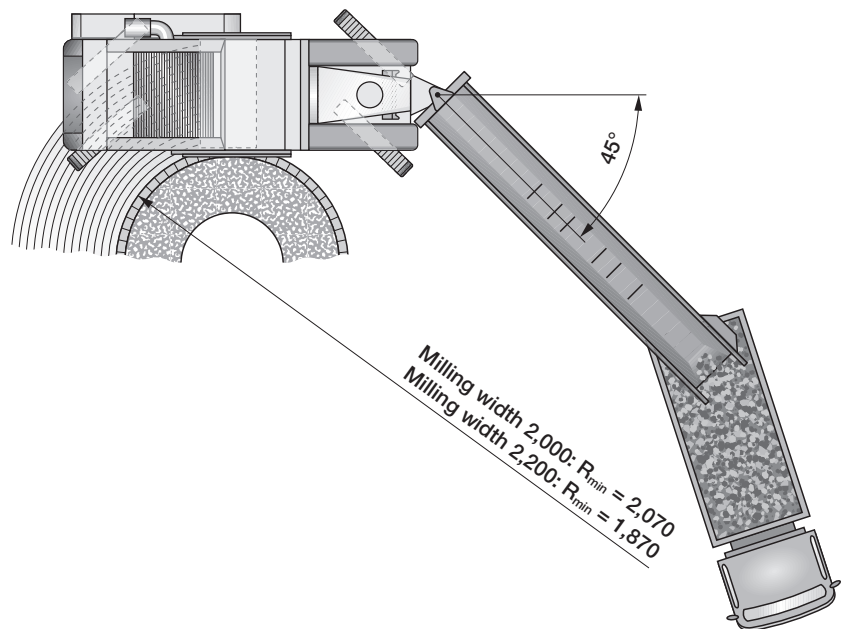
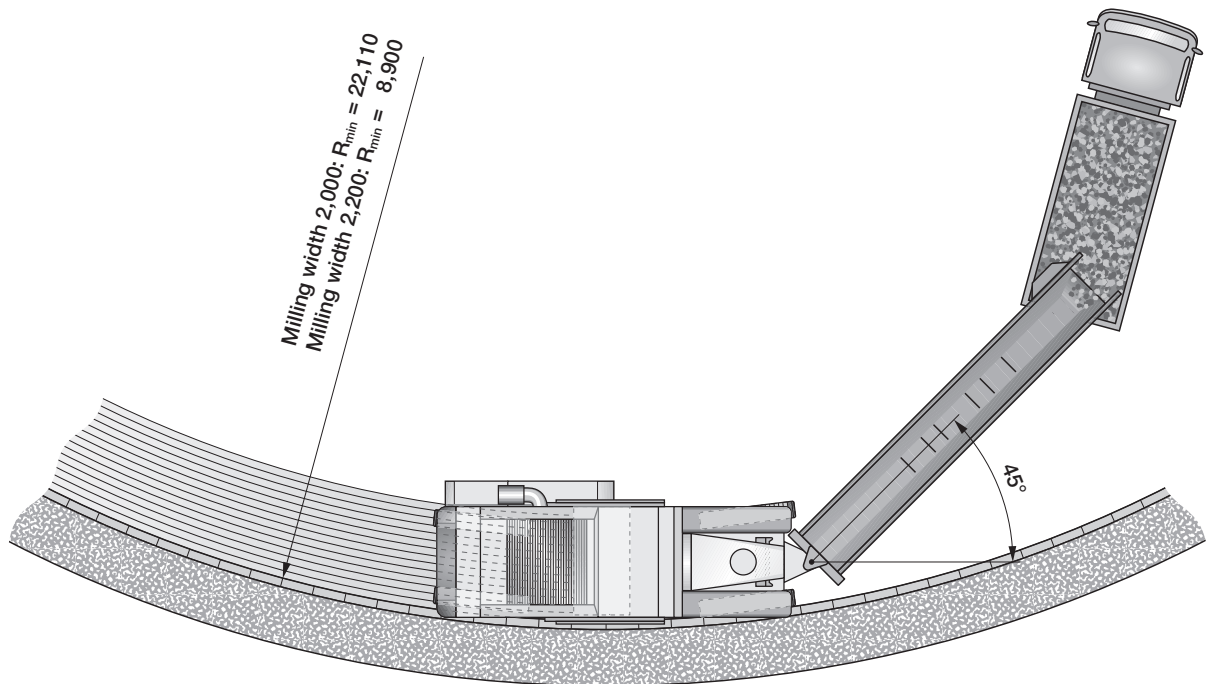
Optional equipment: canopy and folding conveyor
Dimensions in mm



Rear view W 2000
Dimensions in mm



Milling radius of cold milling machine W 2000 at 150 mm milling depth
Dimensions in mm



Equipment features of cold milling machine W 2000

Standard equipment:

Basic machine with engine

- ✔ Water cooler with temperature-related fan speed
- ✔ Lockable, hydraulically opening engine cowling with integrated soundproofing package
- ✔ Air intake with cyclonic pre-cleaner
- ✔ Air compressor system
- ✔ Standard painting in Wirtgen white with orange stripes

Milling drum housing with milling drum

- ✔ Milling drum housing for milling width 2,000 mm, made entirely of wear plates
- ✔ Milling drum, milling width 2,000 mm, tool spacing 15 mm, in welded double-pin toolholder design
- ✔ Wide opening, electro-hydraulically operated drum door/scrapper blade combination, self-locking; the scrapper blade is pressurized hydraulically and equipped with replaceable tungsten carbide elements
- ✔ Right-hand side plate in hinged design
- ✔ Replaceable wearing segments at the side plates
- ✔ Additional control switches for scrapper blade at ground level

Loading of milled material

- ✔ Two-stage loading system with 800 mm wide conveyor belt
- ✔ Discharge conveyor slewing angle of 45 degrees left and right
- ✔ Conveyor system with adjustable conveying speed

Machine and levelling control

- ✔ Proportional advance speed control across the entire speed range via joystick
- ✔ Automatic power control for optimum power adjustment to different pavement materials
- ✔ Engageable hydraulic traction control (flow divider)
- ✔ Digital electric height indicator
- ✔ Freely selectable steering mode for crawler tracks
- ✔ Engaging water injection in milling chamber
- ✔ Engaging water spray system at primary conveyor

Operator's platform

- ✔ Walk-through, anti-vibration mounted operator's platform with two individually adjustable driver's seats
- ✔ One control panel each left and right, adjustable in height and tilt as well as movable to either side
- ✔ WIDIS 32 multifunctional display with error code indication in the right-hand control panel
- ✔ Lockable control panel covers
- ✔ Access left and right with convenient fold-away ladder
- ✔ Two mirrors at the front, one mirror at the rear

Chassis and height adjustment

- ✔ Wear-resistant polyurethane track pad equipment
- ✔ Continuously adjustable, hydraulic all-track drive with hydraulic differential lock
- ✔ Height adjustment via proportional valve control

Miscellaneous

- ✔ Lighting package with 10 spotlights
- ✔ Comprehensive safety package with 6 emergency stop switches
- ✔ Lockable toolbox with comprehensive toolkit for servicing and maintenance
- ✔ Storage compartment for four tool containers
- ✔ Water tank filling, front
- ✔ Warranty of 12 months or 1,000 engine operating hours
- ✔ Machine commissioning by qualified personnel

Optional equipment:

Basic machine with engine

- ✔ Special painting, one colour

Milling drum housing with milling drum

- ✔ Milling drum housing for milling width 2,000 mm, FCS Light
- ✔ Milling drum housing for milling width 2,200 mm, made entirely of wear plates
- ✔ Milling drum, milling width 2,000 mm, tool spacing 15 mm, HT11 quick-change toolholder system
- ✔ Milling drum, milling width 2,200 mm, tool spacing 15 mm, HT11 quick-change toolholder system
- ✔ Milling drum, milling width 2,000 mm, tool spacing 8 mm, HT11 quick-change toolholder system in FCS Light design
- ✔ Milling drum, milling width 2,000 mm, tool spacing 6x2 mm, HT5 welded toolholder system in FCS Light design
- ✔ Pneumatic cutting tool driver and extractor
- ✔ Mounting carriage for milling drums

Loading of milled material

- ✔ Hydraulically operated folding discharge conveyor, long

Machine and levelling control

- ✔ LEVEL PRO automatic levelling system with 2 wire-rope sensors
- ✔ Additional LEVEL PRO control panel
- ✔ Electronic slope sensor

Operator's platform

- ✔ Stable, soundproof GRP canopy with folding rear screen; canopy can be fully lowered hydraulically

Miscellaneous

- ✔ Material guide plates between the rear crawler tracks, including storage compartment for four tool containers and dual seat for convenient tool replacement
- ✔ Hydraulically operated high-pressure water cleaner (max. 200 bar)



Wirtgen GmbH
Reinhard-Wirtgen-Strasse 2 · 53578 Windhagen · Germany
Phone: +49 (0) 26 45/131-0 · Fax: +49 (0) 26 45/131-242
Internet: www.wirtgen.com · E-Mail: info@wirtgen.com